

GROUNDING PV MOUNTING SYSTEM (HH-GR1)



CREATE PV VITALITY WITH WISDOM

GROUNDING PV MOUNTING SYSTEM

(HH-GR1 INSTALLATION MANUAL)

CONTENTS

1. SAFETY GUIDELINES	2
2. BILL OF MATERIALS	3
3. INSTALLATION STEPS	5
3.1 COLUMN CONSTRUCTION	5
3.2 INSTALLING THE MAIN BEAM	6
3.3 INSTALLING THE INCLINED BEAM	9
3.4 INSTALLING FRAME SUPPORT AND MODULES	10



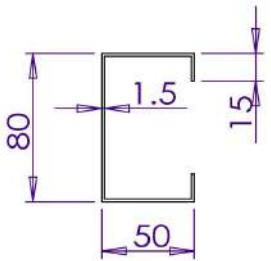
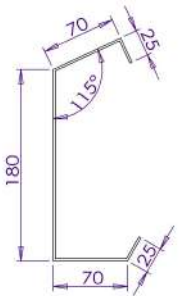
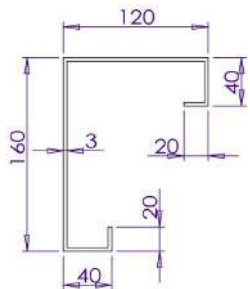

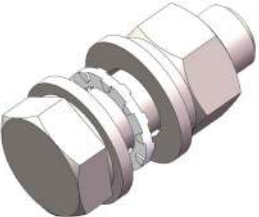

1. SAFETY GUIDELINES

BEFORE INSTALLING THIS SET OF PV MOUNTING SYSTEM, PLEASE READ THIS CONSTRUCTION MANUAL AND RELATED SAFETY REGULATIONS CAREFULLY, AND PAY ATTENTION TO THE RELEVANT LOCAL REGULATIONS; THIS MANUAL PROVIDES INSTALLATION INSTRUCTIONS AND SUGGESTIONS FOR MOUNTING SYSTEM.





INSTALLERS SHOULD OBSERVE THE FOLLOWING SPECIFICATIONS:

- COMPLY WITH ALL APPLICABLE LOCAL OR NATIONAL BUILDING CODES INCLUDING ANY THAT MAY SUPERSEDE THIS MANUAL.
- PLEASE DO NOT INSTALL PV MOUNTING SYSTEM IN WET OR BAD WEATHER CONDITIONS.
- MAKE SURE THAT THE PV MOUNTING SYSTEM IS SUITABLE FOR THE SPECIFIC INSTALLATION AND INSTALLATION ENVIRONMENT.
- PLEASE USE THE ACCESSORIES PROVIDED BY OUR COMPANY AND THE INSTALLATION TOOLS YOU CARRY (SUCH AS REPLACING OUR PRODUCTS WITH OTHER ACCESSORIES, OR CUTTING OUR PRODUCTS BY YOURSELF. OUR COMPANY WILL NOT TAKE ANY RESPONSIBILITY FOR THIS).
- ENSURE THAT NO LESS THAN TWO PROFESSIONAL INSTALLERS COMPLETE THE PV MOUNTING SYSTEM CONSTRUCTION.
- DURING CONSTRUCTION, PLEASE WEAR FORMAL WORK CLOTHES AND PROTECTIVE EQUIPMENTS.
- ENSURE THAT THE INSTALLATION OF ELECTRICAL RELATED EQUIPMENT IS COMPLETED BY A PROFESSIONAL ELECTRICIAN TO ENSURE SAFETY OF THE INSTALLATION OF PV ELECTRICAL COMPONENTS.

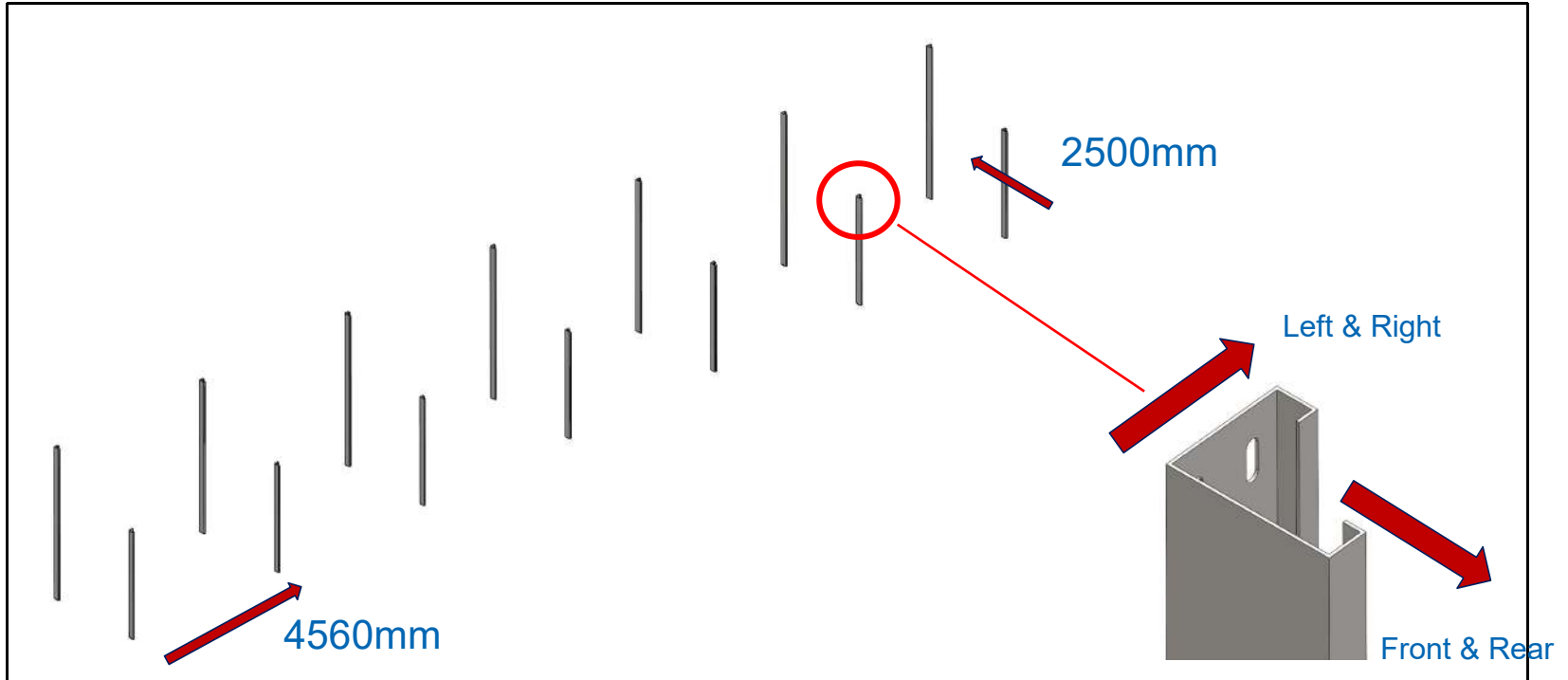
2. BILL OF MATERIALS

Parts List					
Product	Picture	Product	Picture	Product	Picture
Rail		Beam		Pole	
Product	Picture	Product	Picture	Product	Picture
Frame support		M8*25 Outer hexagon		M12*30 Outer hexagon	

2. BILL OF MATERIALS

List of tools (Pictures are for reference only)			
Product	Picture	Product	Picture
Outer hexagon wrench (M8/12)		Pile driver	
Product	Picture	Product	Picture
Measuring tools		Electrical tools (M8/12)	

3. INSTALLATION STEPS

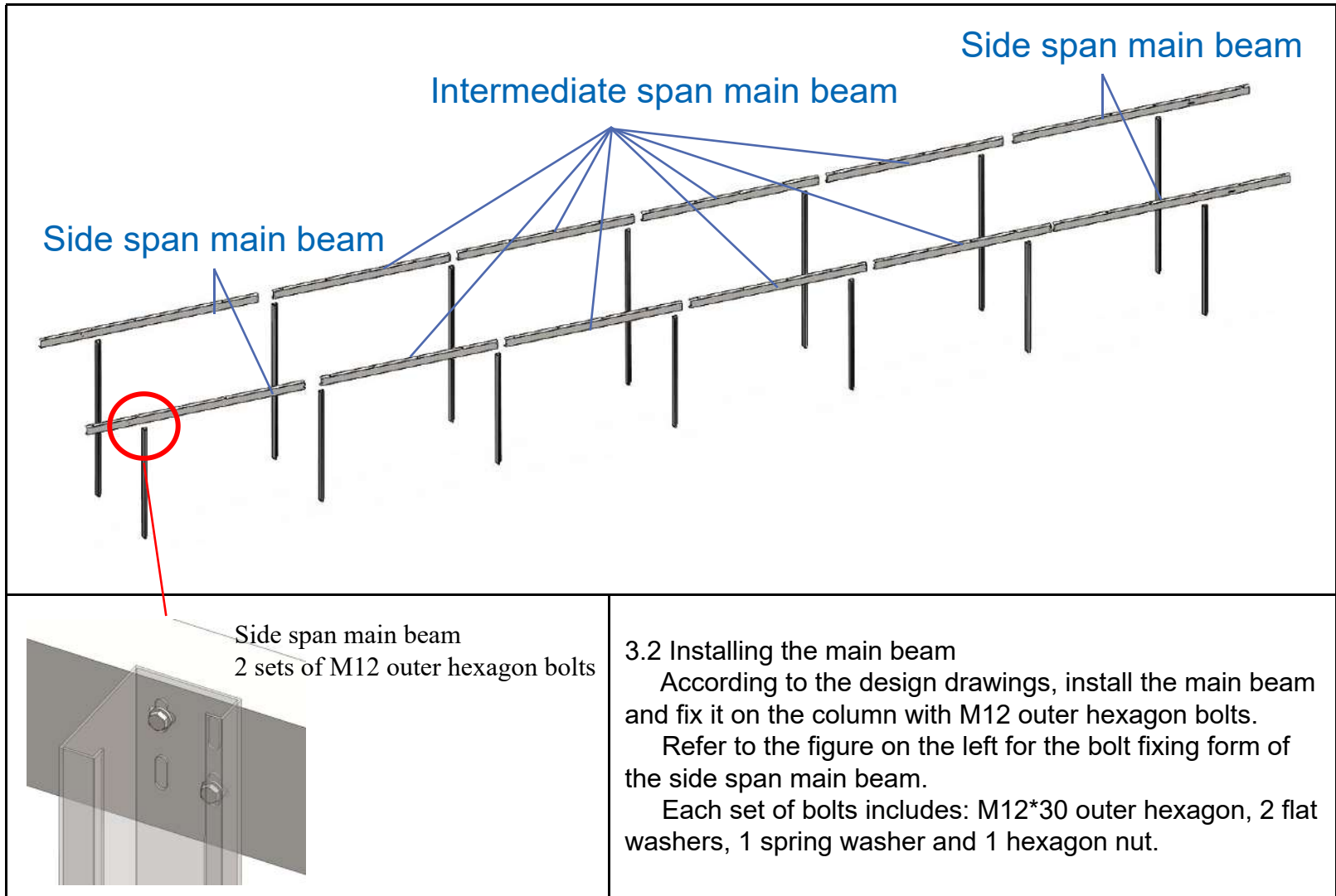


3.1 Column Pole Construction

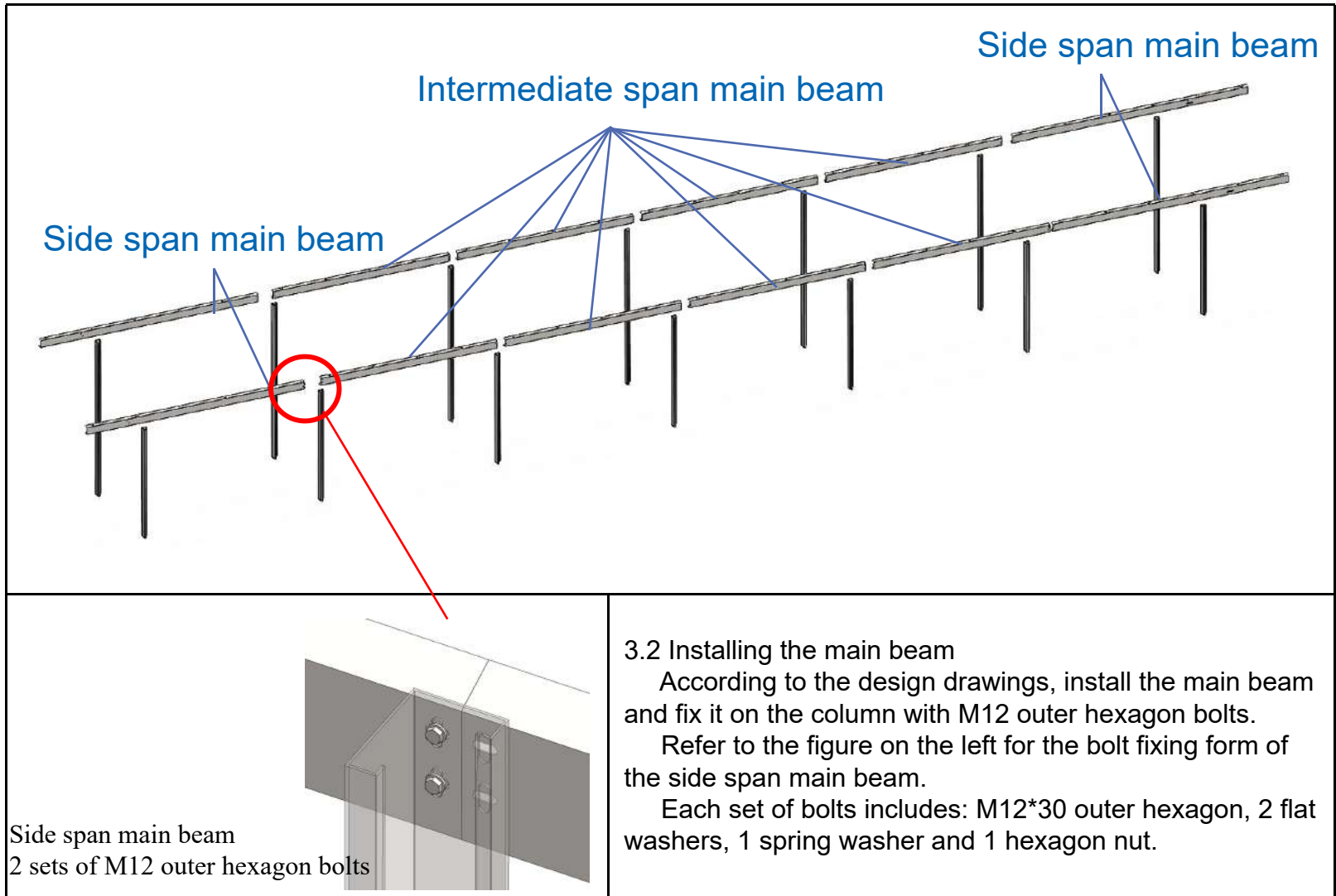
According to the design drawings, locate all column positions on the project site (2500mm front and rear, 4560mm left and right). Use a pile driver for construction, and drive it into the ground 1700mm. (The site may have undulations, please ensure that the top of the column is on the same level).

※Pay attention to the direction of the column during construction

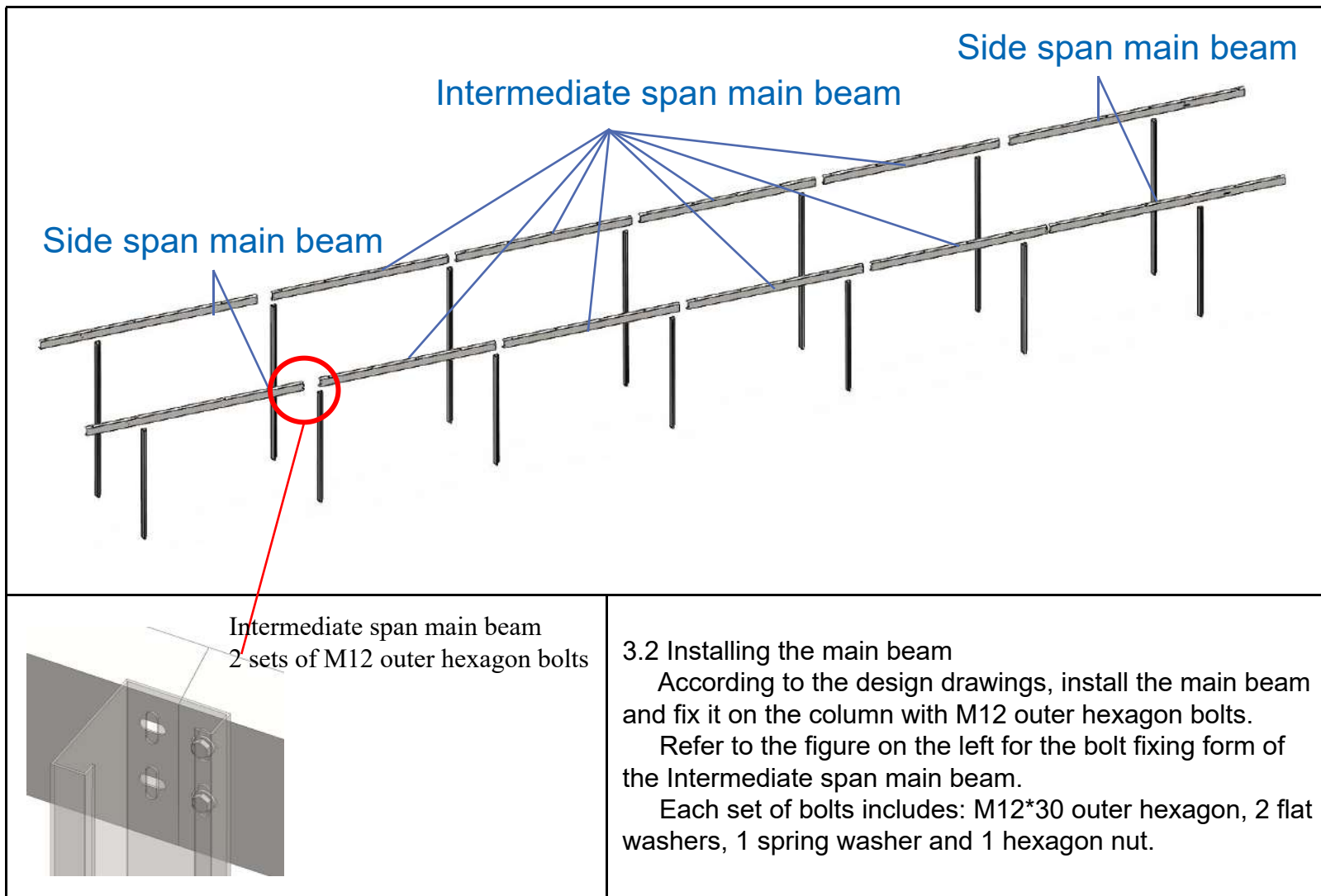
3. INSTALLATION STEPS



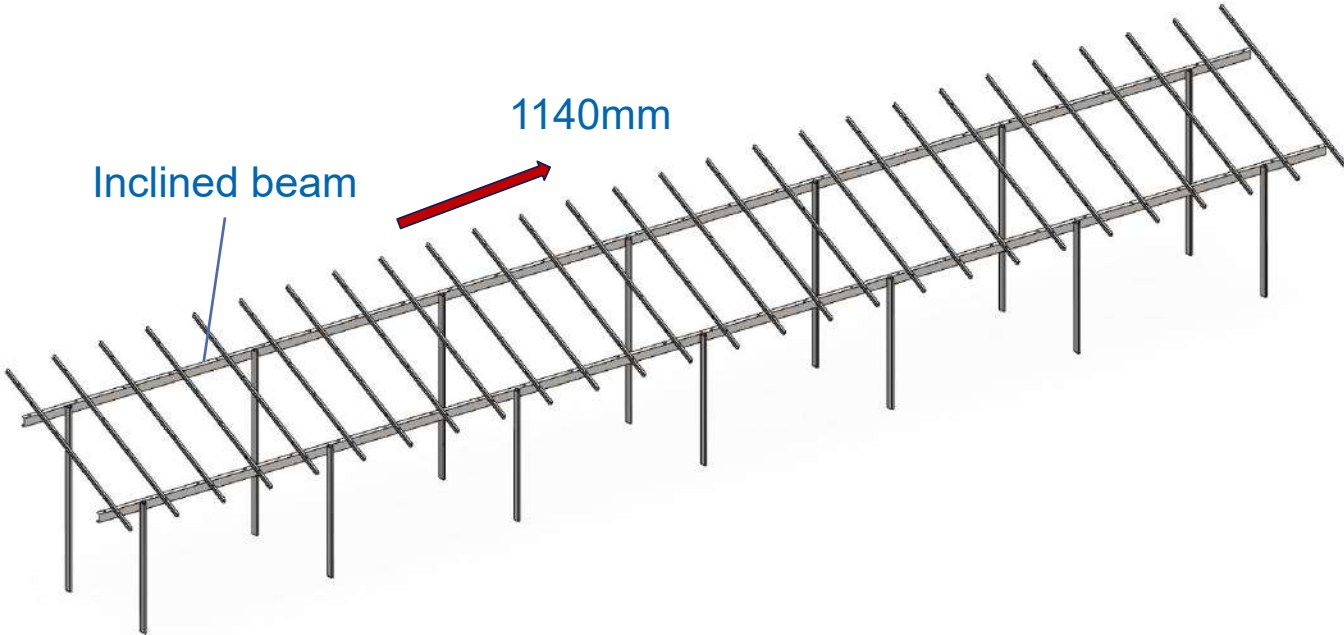
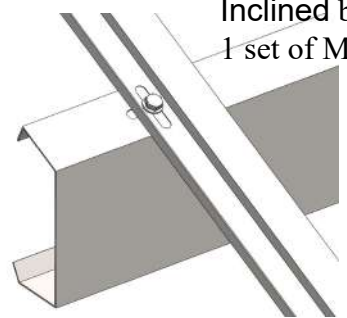
3. INSTALLATION STEPS



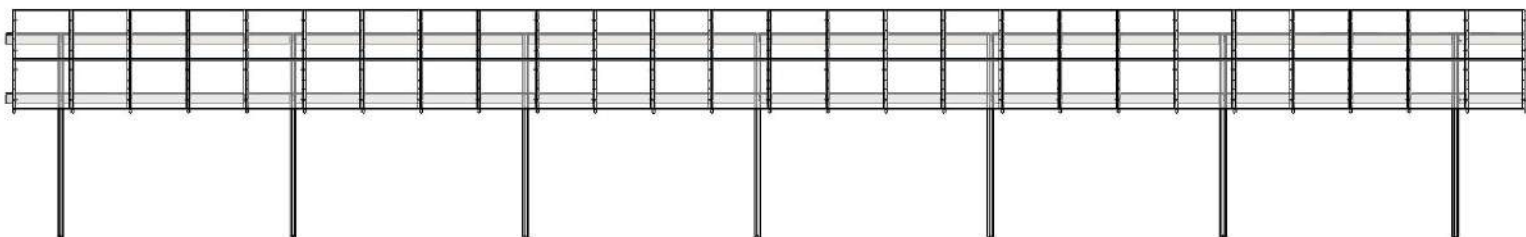
3. INSTALLATION STEPS



3. INSTALLATION STEPS

	
 <p>Inclined beam 1 set of M12 outer hexagon bolts</p>	<p>3.3 Install the inclined beam rail</p> <p>According to the design drawings, install the inclined beam, the left and right spacing is 1140mm, and use M12 outer hexagon bolts to fix it on the main beam.</p> <p>Refer to the left picture for the bolt fixing form of the inclined beam.</p> <p>Each set of bolts includes: M12*30 outer hexagon, 2 flat washers, 1 spring washer and 1 hexagon nut.</p>

3. INSTALLATION STEPS

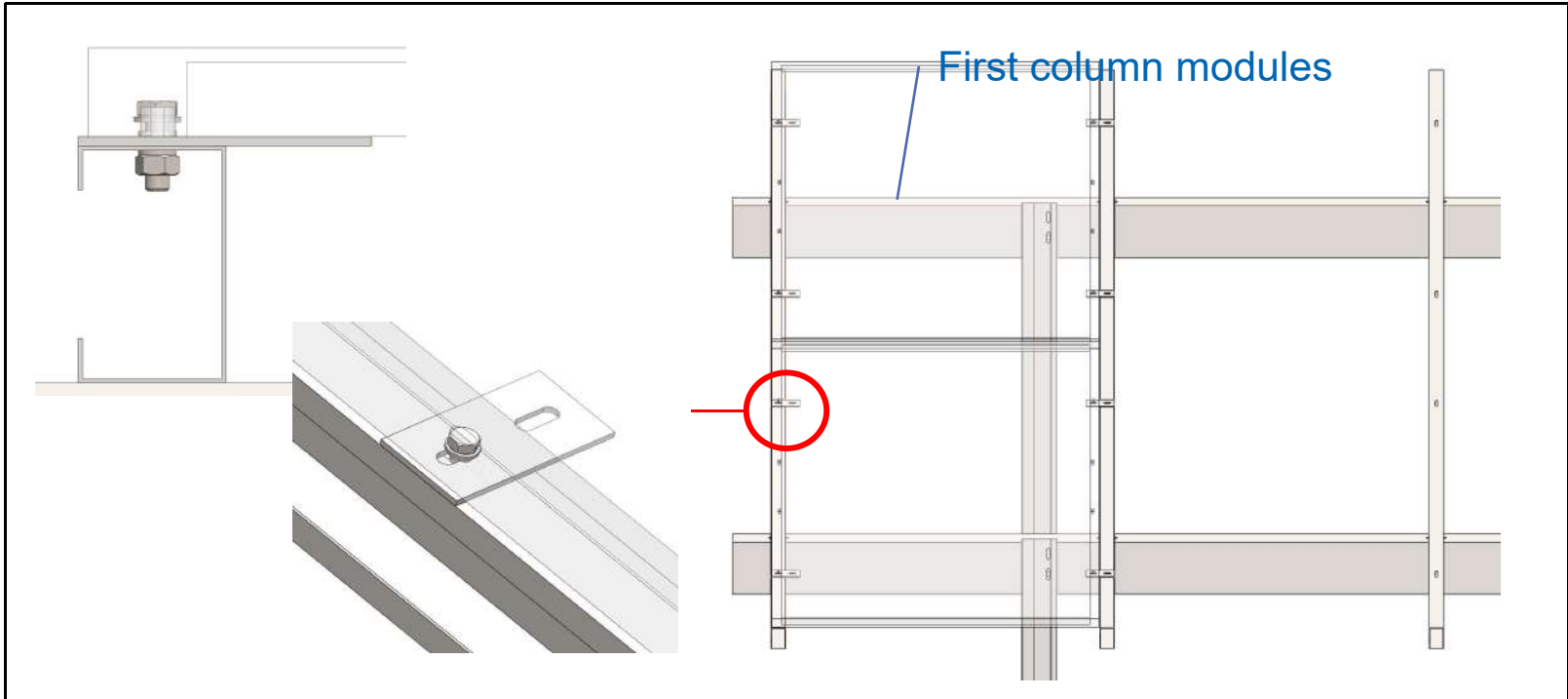


3.4 Install Frame support and modules

Use the mounting holes on the back of frame to fix the modules, and each module uses 4 sets of M8*12 bolts.

Each set of bolts includes: M8*25 outer hexagon, 2 flat washers, 1 spring washer, 1 serrated washer and 1 hexagon nut.

3. INSTALLATION STEPS

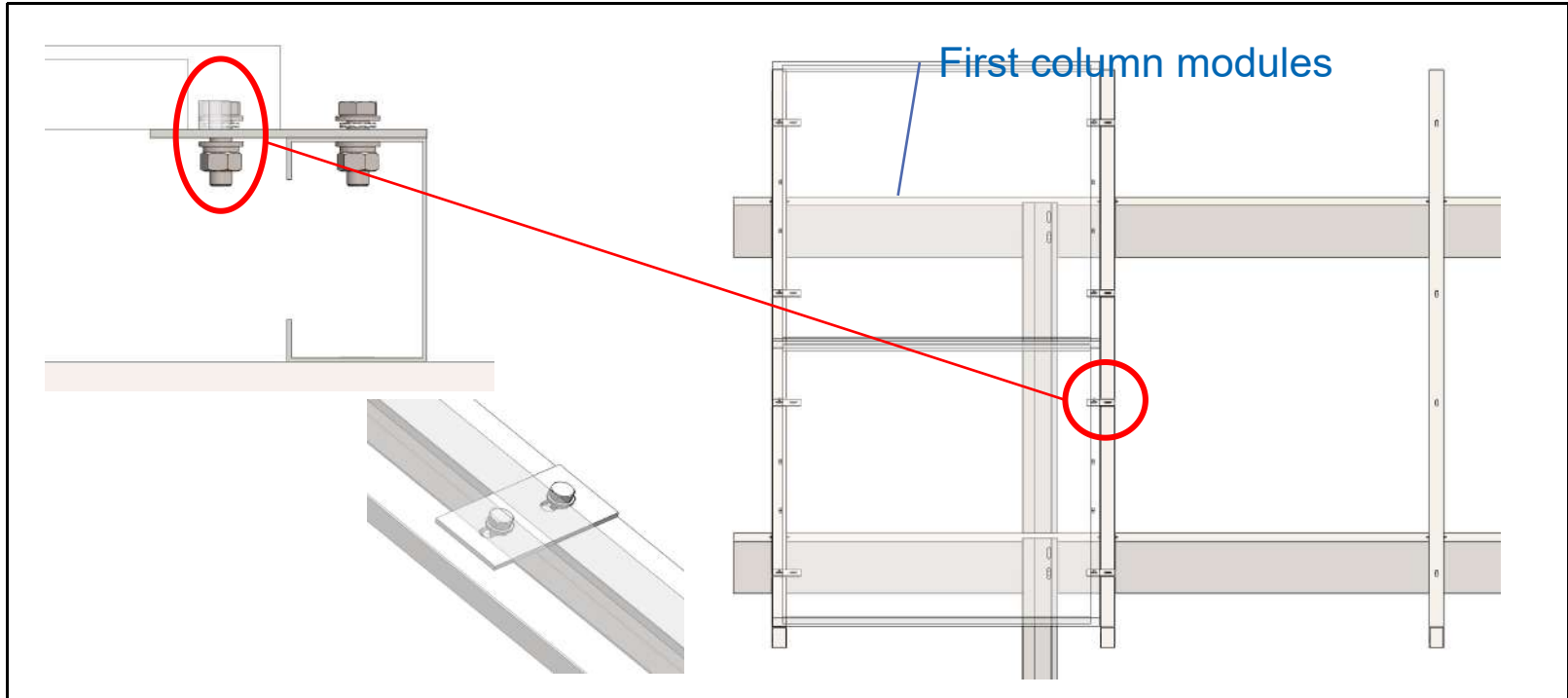


3.4 Installing the first column modules

Frame support is set between the module and the rail, (the serrated gasket is attached to the inside of frame, which can pierce the anodizing film and connect the circuit).

As shown above, the mounting hole on the left side of the module is fixed on the left side of the frame support.

3. INSTALLATION STEPS

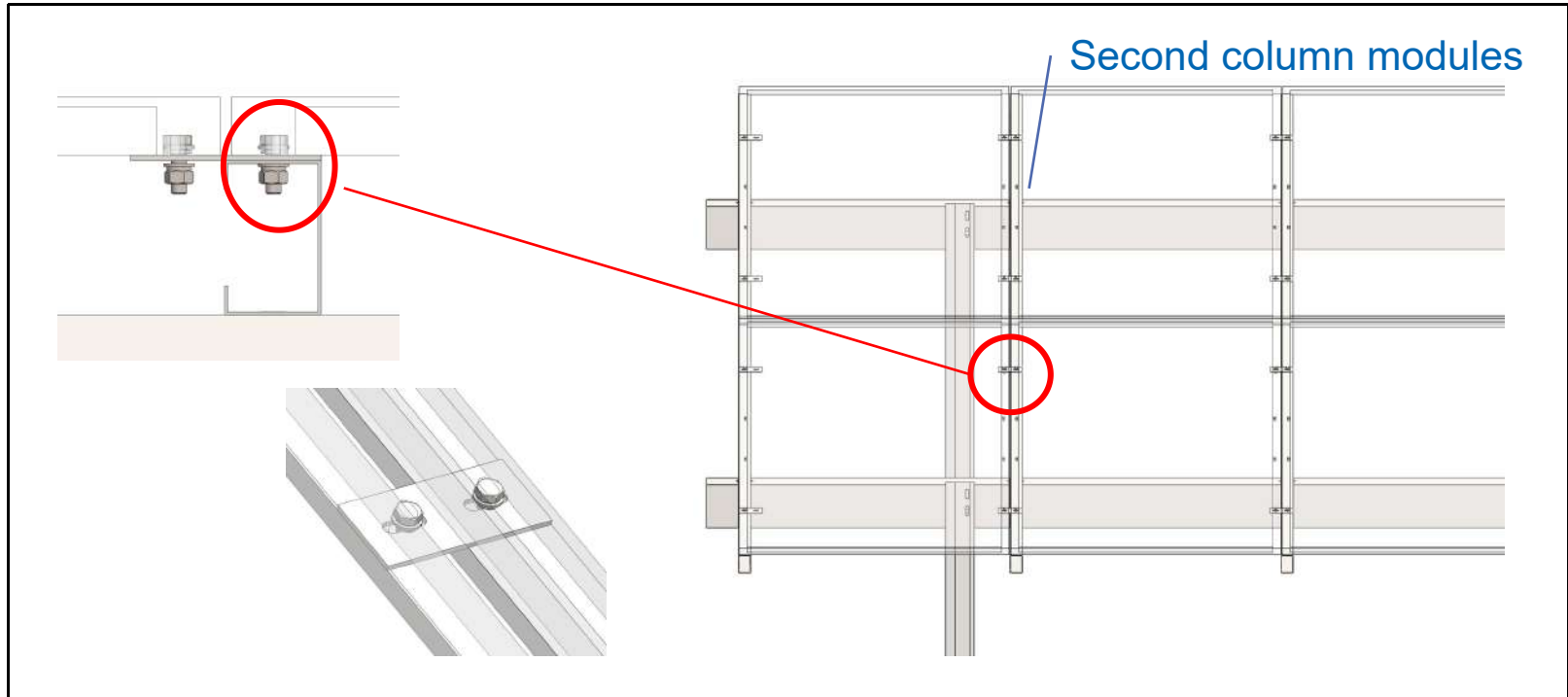


3.4 Installing the first column modules

Frame support is set between the module and the rail, (the serrated gasket is attached to the inside of frame, which can pierce the anodizing film and connect the circuit).

As shown above, the mounting hole on the right side of the module is fixed on the left side of the frame support.

3. INSTALLATION STEPS

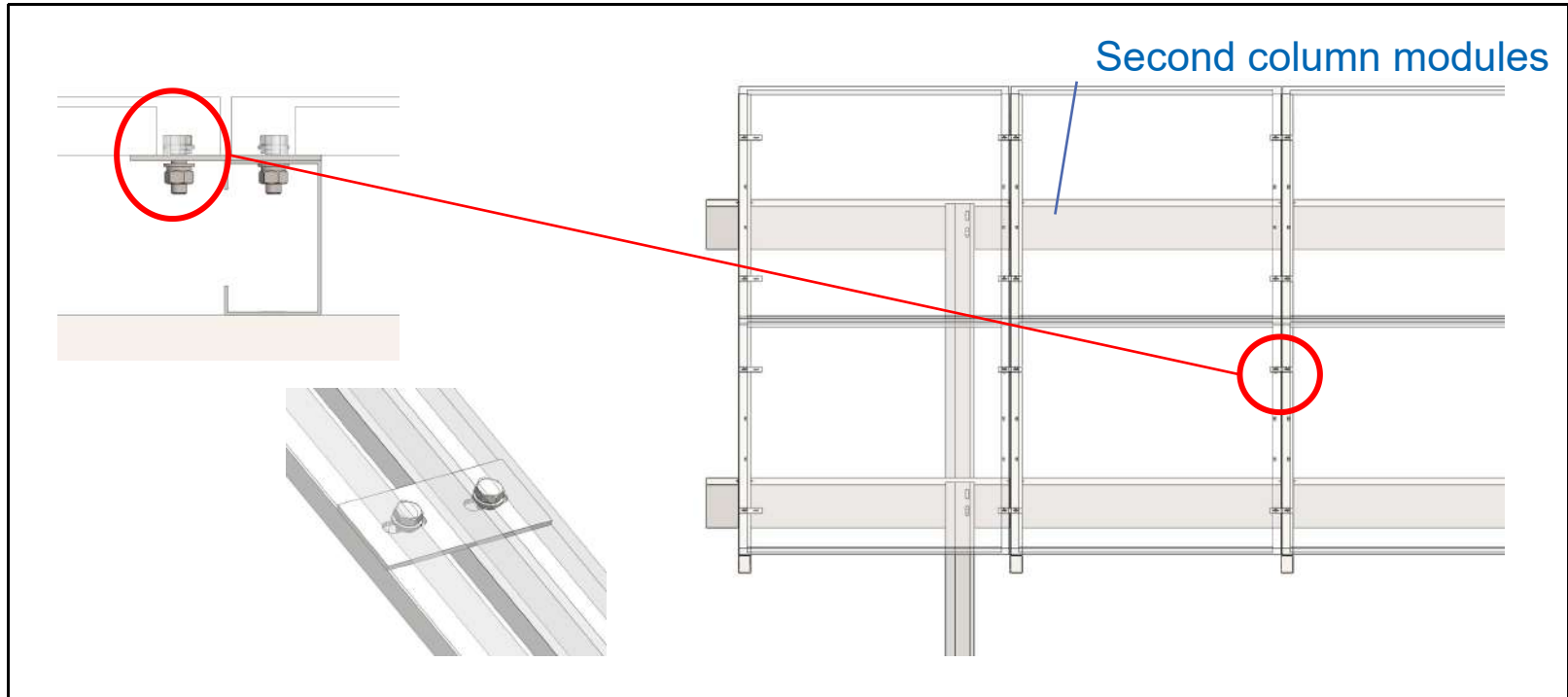


3.4 Installing the second column modules

Frame support is set between the module and the rail, (the serrated gasket is attached to the inside of frame, which can pierce the anodizing film and connect the circuit).

As shown above, the mounting holes on the left side of the module are fixed on the right side of the frame support.

3. INSTALLATION STEPS



3.4 Installing the second column modules

Frame support is set between the module and the rail, (the serrated gasket is attached to the inside of frame, which can pierce the anodizing film and connect the circuit).

As shown above, the mounting hole on the right side of the module is fixed on the left side of the frame support.

Install the remaining modules in the same way as the modules in the second column.

